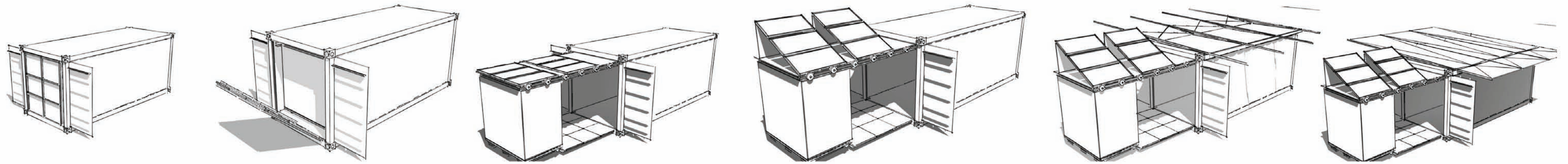


the clean hub | prototype 1

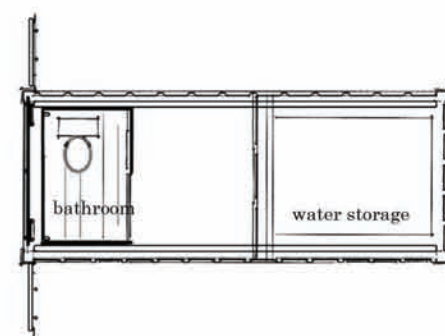
A common policy of FEMA and many other disaster relief and refugee efforts is to build nothing permanent. However, these crises often take decades to resolve. As a result, systems of water, power and sanitation are often grossly inadequate. Today, over 170 million people live in substandard conditions due to this very problem. **The Clean Hub is a small, portable, mass producible structure that provides a sustainable, off-grid source for clean water, sanitation and electricity.** It can be fabricated in less than one month, shipped anywhere in the world, deployed in less than one hour, and serve up to 150 people. It can function as long as necessary, but, given its shell as a shipping container, can be deemed temporary. It also maintains the integrity of a shipping container allowing it to be easily relocated, stored, and reshipped intermodally.



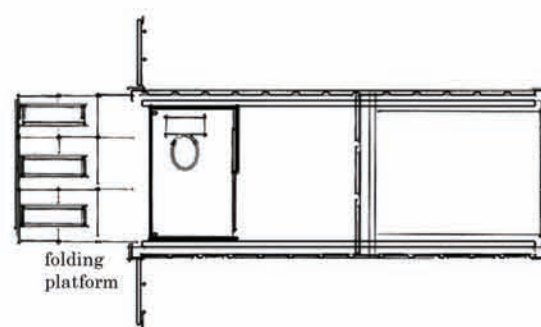
the team:
shelter architecture | minneapolis, mn
www.shelterarchitecture.com
studio 4284 | university of minnesota | college of design | studio4284.blogspot.com
the renaissance project | new orleans, la
therenaissanceproject.la
citybuild | new orleans, la
citybuild.org
vandervoort public affairs & james research | saint paul, mn

components and donors:
composting toilet: sancor industries
envirolet.com
water reservoir: global flexisystems
flexitank.com
shipping container: portable storage, inc.
portablestorage.com
materials: the reuse center | mcgough | discount steel | greeninstitute.org
solar panels: prairie technologies
prairie-tech.com

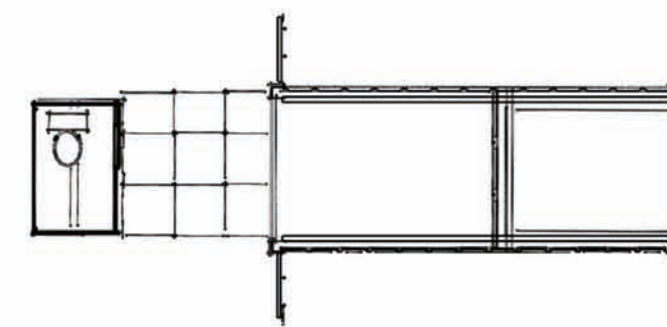
CLOSED



UNFOLD



EXPAND



OPEN OUT

